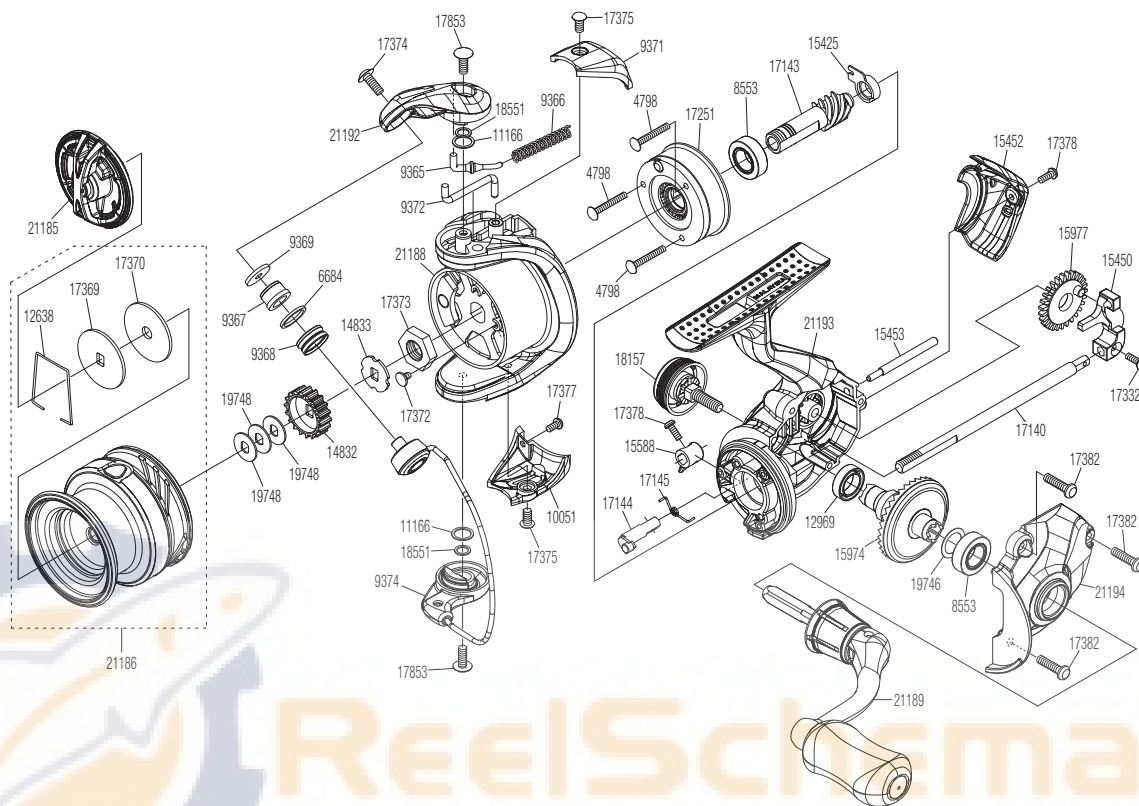


SHIMANO

SYMETRE

SY-1000



Please note that the number of adjusting washers may not always be the same as shown in the exploded views.

(51SF43B010B)

Please note that your actions take full responsibility when you take it apart.

Part No.	Description	Part No.	Description	Part No.	Description
RD 4798	Screw	RD15977	Oscillating Gear	RD21188	Rotor Assembly
RD 6684	Line Roller Spacer	RD17140	Main Shaft	RD21189	Handle Assembly
RD 8553	Ball Bearing	RD17143	Pinion Gear	RD21192	Bail Arm
RD 9365	Bail Spring Guide A	RD17144	Anti-Reverse Cam	RD21193	Body
RD 9366	Bail Spring	RD17145	Anti-Reverse Cam Spring	RD21194	Side Cover
RD 9367	Line Roller Bushing	RD17251	Roller Clutch Assembly		
RD 9368	Line Roller	RD17332	Screw		
RD 9369	Washer	RD17369	Key Washer		
RD 9371	Bail Spring Cover	RD17370	Drag Washer		
RD 9372	Bail Trip Lever	RD17372	Screw		
RD 9374	Bail Assembly	RD17373	Rotor Nut		
RD10051	Bail Hold Support Guard	RD17374	Screw		
RD11166	Washer	RD17375	Screw		
RD12638	Drag Washers Retainer	RD17377	Screw		
RD12969	Ball Bearing	RD17378	Screw		
RD14832	Spool Support A	RD17382	Screw		
RD14833	Spool Support B	RD17853	Screw		
RD15425	Pinion Bushing	RD18157	Handle Screw Cap Assembly		
RD15450	Oscillating Slider	RD18551	Washer		
RD15452	Rear Protector	RD19746	Washer		
RD15453	Oscillating Guide	RD19748	Spool Washer		
RD15588	Anti-Reverse Lever	RD21185	Drag Knob Assembly		
RD15974	Drive Gear	RD21186	Spool Assembly		